

It is proposed to construct the vanity unit from prime European oak and oak veneered man made board fitted with a pair of glazed doors with drop pull handles, and a single adjustable glass shelf. The glass in the doors will be 6mm float glass and have a 25mm bevel all round and the centre of the glass will be acid etched. The adjustable glass shelf will be 6mm float glass which will be polished all round. All the glass supplied will be toughened safety glass to meet current UK safety standards. The vanity unit will be sealed inside and out with precatalyst high density low sheen lacquer.

The vanity unit will have a removable back panel behind which will be a 75mm void. This will enable all service plumbing work to be concealed, any exposed pipe work to be kept to absolute minimum and only chrome plated pipe work to be used including the bottle trap. The waste outlet to be kept as high as possible.

Alan Wakefield

Bespoke cabinet maker

Handmade furniture designed and created for you and your home

0795 800 9323

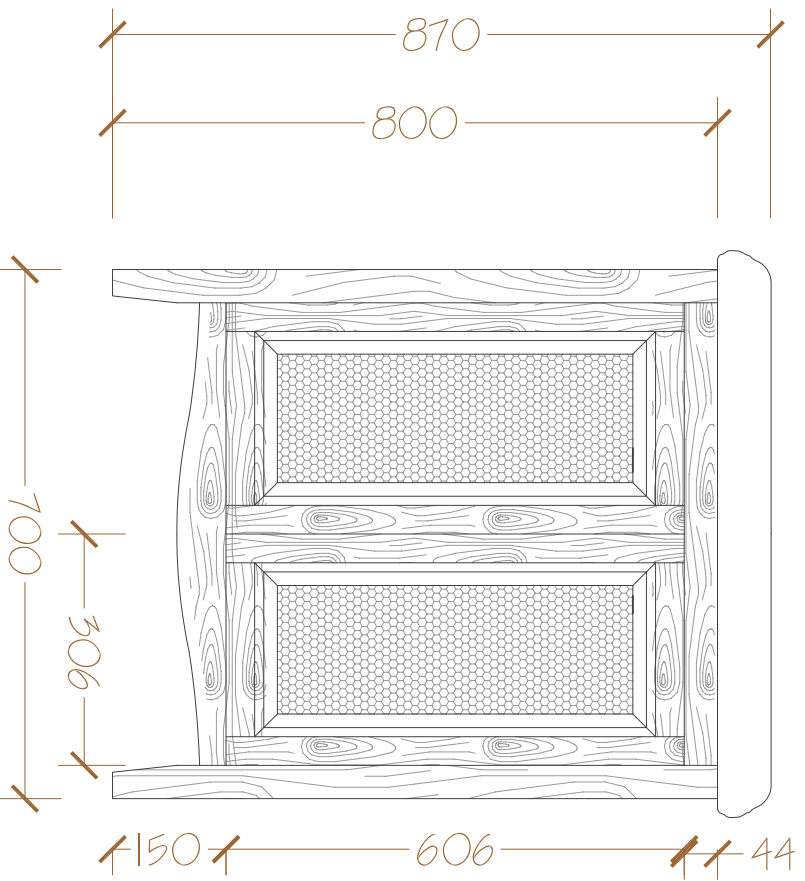
Client

Project

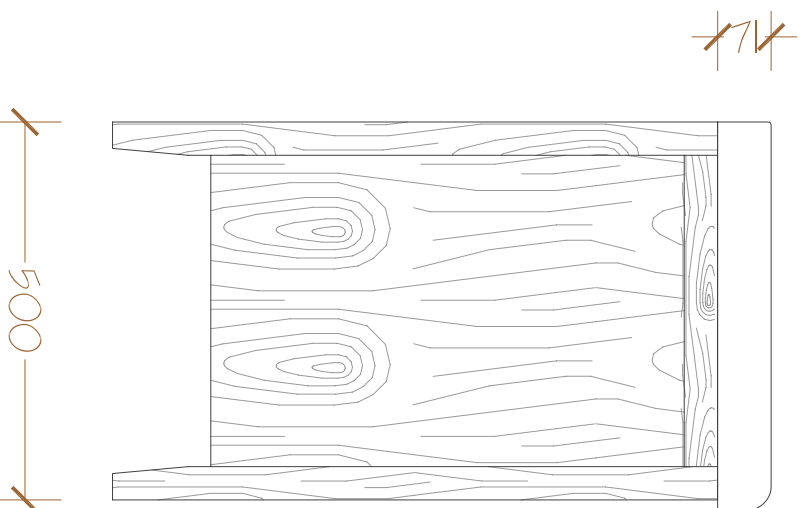
Oak Vanity unit

Date November 2007

Scale 1 : 10 @ A3



Front Elevation showing glazed doors



Side / End Elevation

